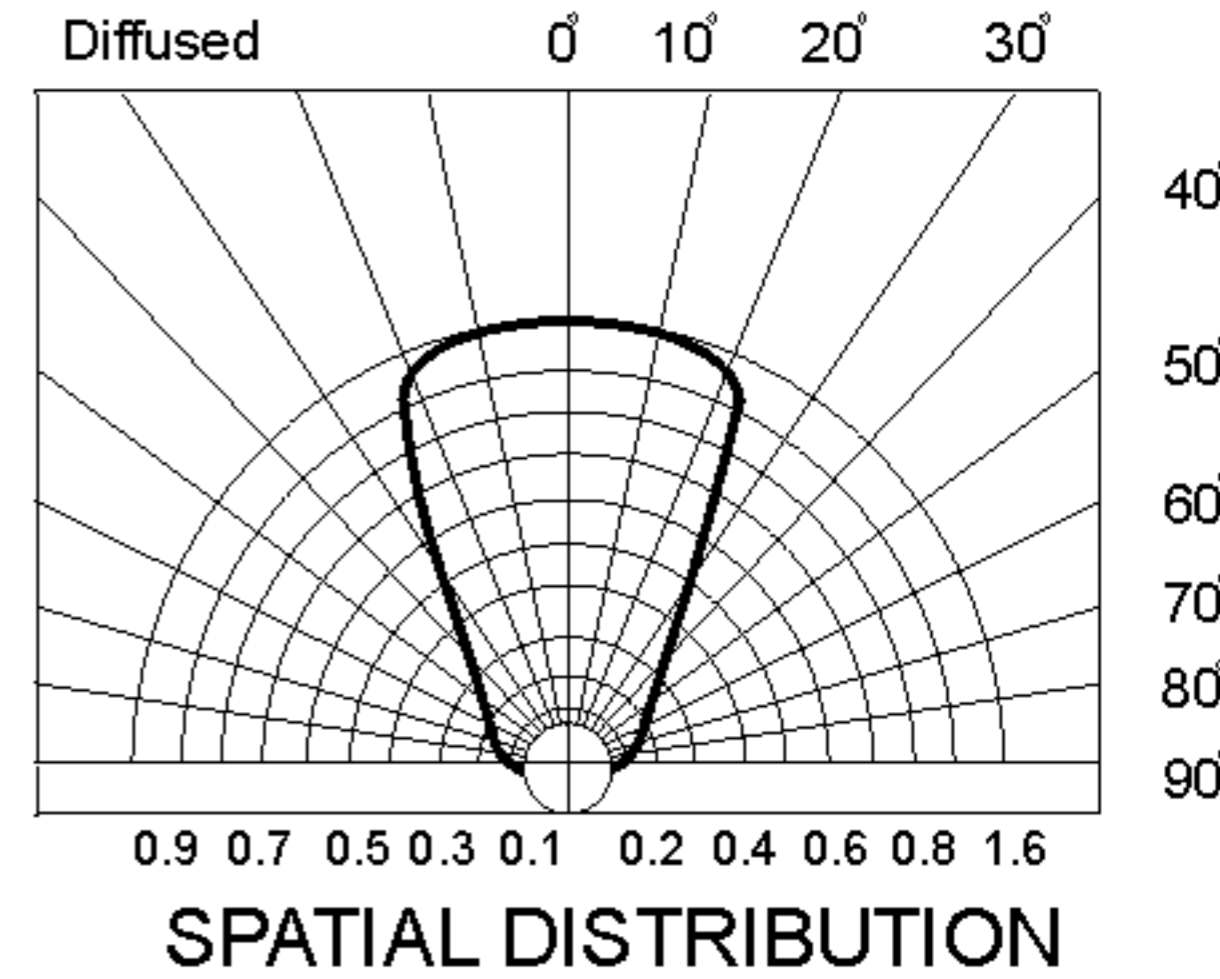
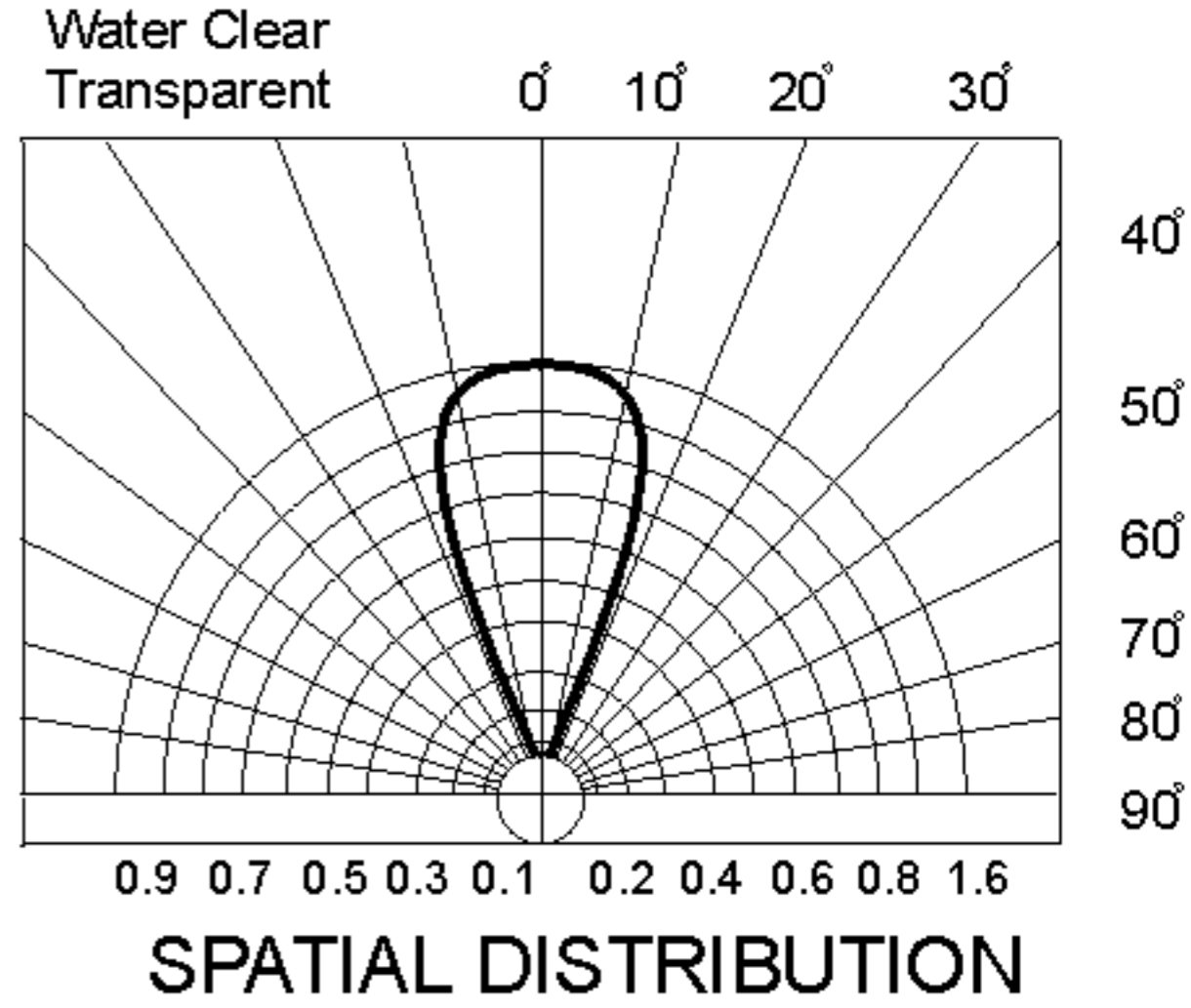
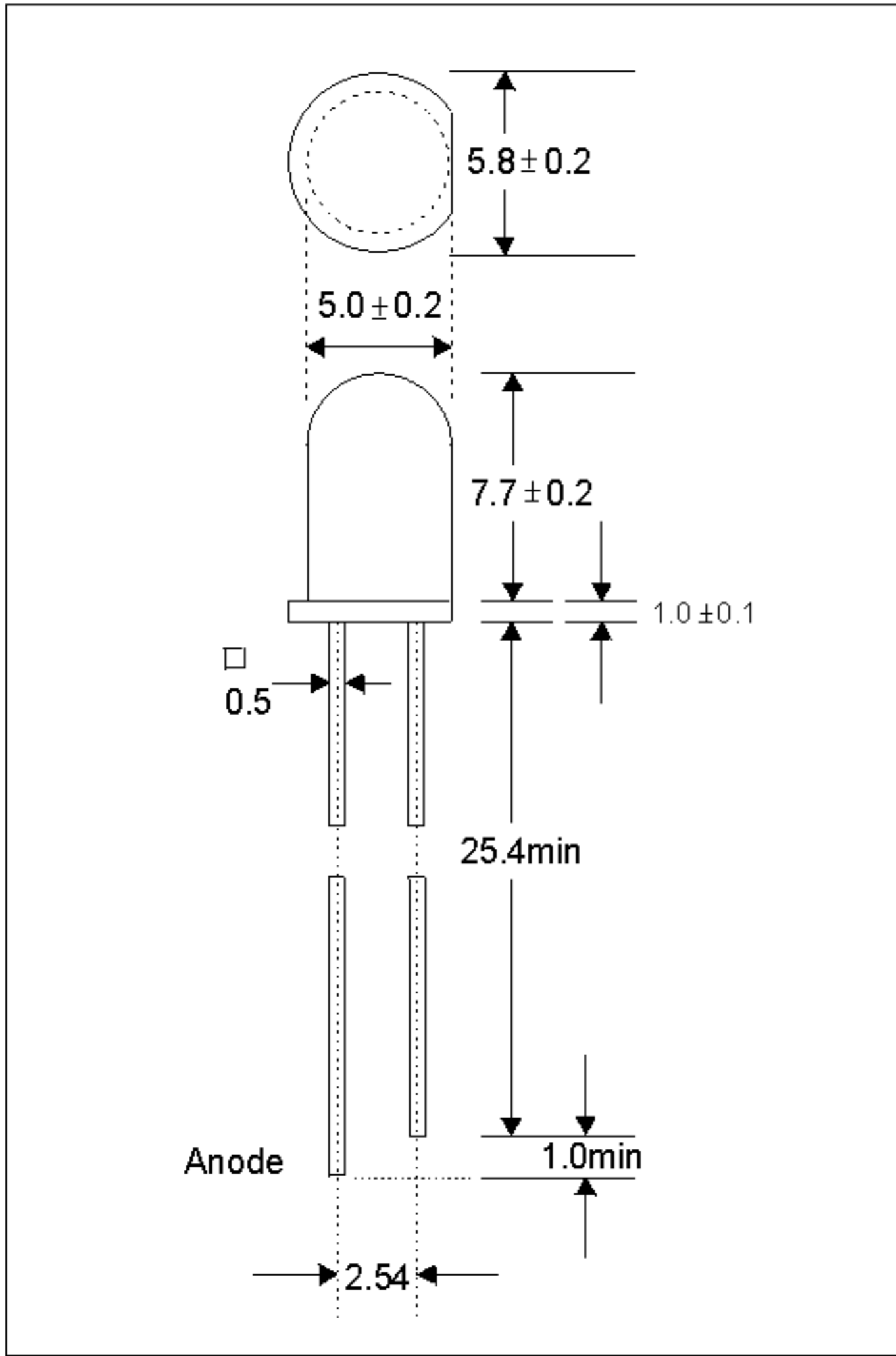


L-513XX SERIES

5mm, Round Type LED Lamp

PACKAGE DIMENSIONS(unit: mm)



ABSOLUTE MAXIMUM RATINGS:($T_a=25^\circ\text{C}$)

Reverse Voltage	: 5 Volt
Reverse Current($V_r=5\text{V}$)	: 10uA
Operating Temperature Range	: -40°C to $+85^\circ\text{C}$
Storage Temperature Range	: -40°C to $+100^\circ\text{C}$
Lead Soldering Temperature	: 260°C for 5 Seconds

PART SELECTION AND APPLICATION INFORMATION(RATINGS AT 25°C AMBIENT)

PART NO.	CHIP			LENS COLOR	Absolute Maximum Ratings				Electrical-Optical Characteris						Viewing Angle (deg)
	Material	PEAK WAVE Lenght $\lambda_p(\text{nm})$	Emitting Color		$\Delta\lambda$ (nm)	pd (nW)	IF (mA)	Peak if(mA)	VF(V)			Rec if(mA)	Iv(mcd)		
									Min.	Typ.	Max.	Max.	Min.	Typ.	
513BD	InGaN	465	Blue	20	120	30	100	2.9	3.3	3.6	10-20	300	800	60	